



NWA1302-AC

802.11ac Wall-Plate PoE Access Point

The Zyxel NWA1302-AC has been designed for per-room deployment scenarios. It turns a RJ45 outlet box into not only a wireless access point to provide WiFi services, but also a Gigabit switch with PoE to power smart TV or VoIP devices to establish the last-mile network services. Featuring **NebulaFlex™**, the NWA1302-AC can be managed through the Web GUI or license-free Nebula cloud management platform.

Benefits

Versatile mounting options

The low profile and versatile mounting design of the Zyxel NWA1302-AC make it a perfect choice for per-room deployments. It easily blends into tasteful decorations and can be mounted directly on the outlet box or any obscure locations – or simply on your desktop. For the best look, the Ethernet cable and coaxial cable can run out from the cable channel to keep NWA1302-AC slim and fit in a limited space.

Welcome your guest with high-speed WiFi

Designed for per-room deployments, NWA1302-AC features smart antenna and beamforming to dynamically change signal directions to provide superb performance for each individual client. Zyxel's smart antenna has been proved to be the best solution to mitigate interference from neighboring APs wherever it is mounted. The NWA1302-AC promises users with enjoyable, ubiquitous HD streaming experience on their mobile devices.



Provides wireless, wired and PoE connectivity with 802.11ac as well as a built-in Gigabit switch



Compact design with a unique cable channel makes it to fit into all mounting places and saves space



NebulaFlex™ gives the flexibility to switch between standalone and license-free Nebula cloud management



Equipped with smart antenna proven to mitigate interference from neighboring APs



Enterprise-class 2x2 802.11ac AP supporting combined data rates of up to 1.2 Gbps



Three downlink Gigabit Ethernet ports, including one with PoE to power VoIP phones or other devices

Extending modern in-room connectivity with a box

Nowadays, people demand wired switches to support smart TV, VoIP and high-speed Internet access in hotel rooms, meeting rooms and studios. As a result, rooms are filled with cables and switches that require more investment and are difficult to maintain. Let's keep the budget and cabling efforts to the minimum. More than just a WiFi AP, the Zyxel NWA1302-AC has three local Gigabit Ethernet ports to securely attach wired devices, in which a PoE port powers the attached devices without the need for electric outlets and power cables.

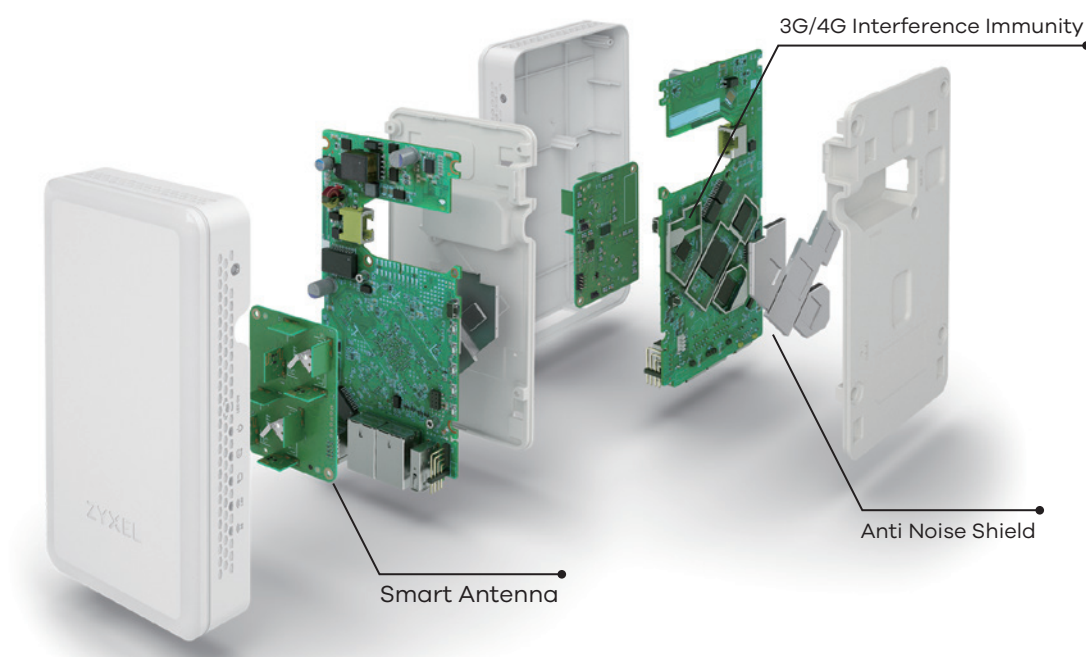
Manage it your way! – Switch easily between standalone and cloud management

Taking advantage of **NebulaFlex™**, the NWA1302-AC can be managed as a traditional standalone AP or a Nebula


cloud managed AP. You can switch easily between two management platforms for different application scenarios with only a few simple clicks—no need to pay any extra fee. With the remote and real-time management capability, Zyxel's Nebula cloud center allows you to configure devices before unboxing and even monitors networks in all branches conveniently in your own office.

RF First – high-performance, reliable connections through design

When the access point is being designed, every detail is taken into account to ensure the best user experience. With Zyxel's commitment to RF first for high-performance, reliable connection, the NWA1302-AC adopts optimized RF solutions, including noise shield and smart antenna, to provide great user experience even in challenging environments as hotel rooms.

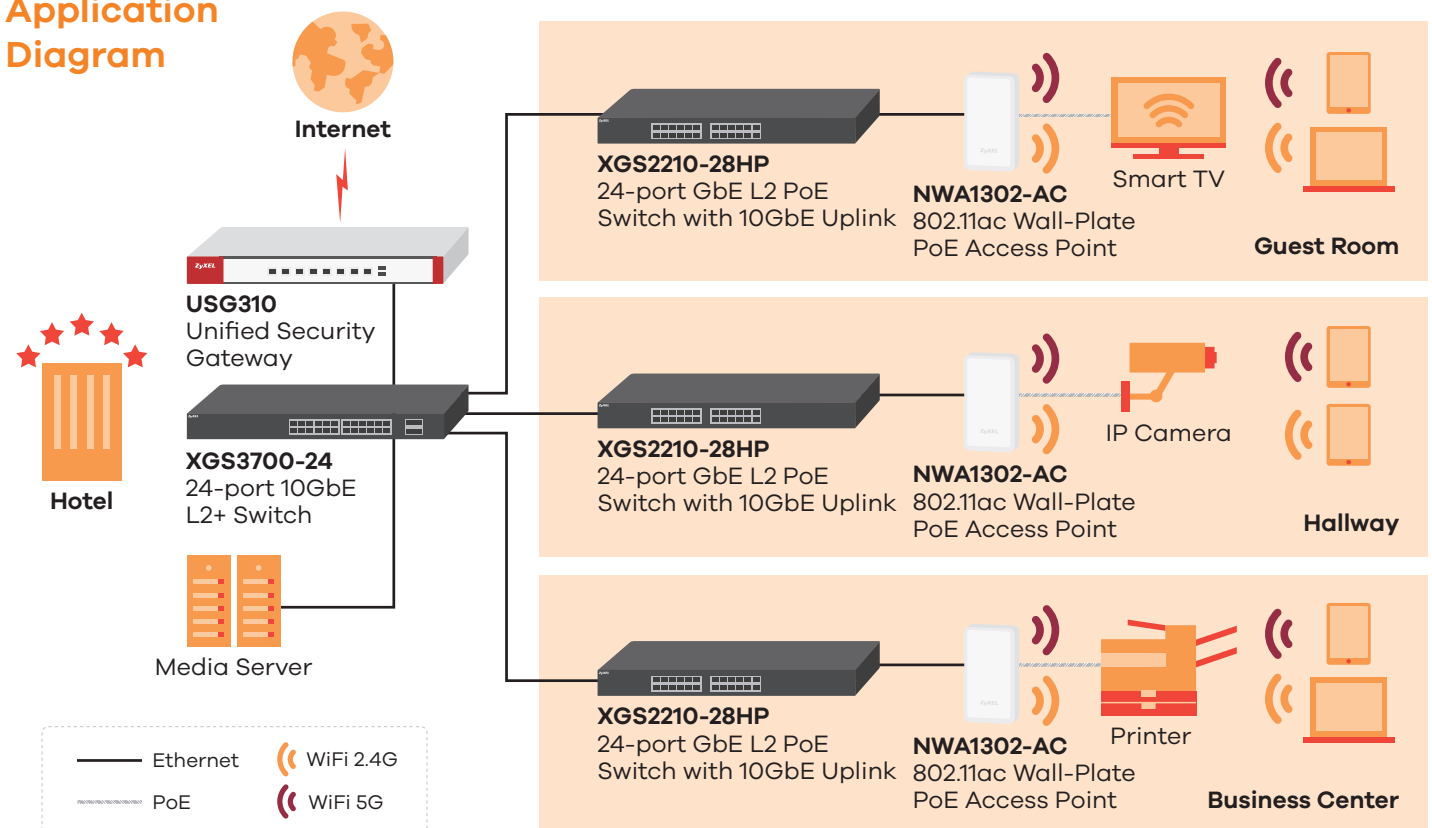


Specifications

Model	NWA1302-AC	
Product name	802.11ac Wall-Plate PoE Access Point	
		
Wireless		
Standard	IEEE 802.11 ac/n/g/b/a	
MIMO	SU-MIMO	
Peak speed	2.4 GHz	300 Mbps
	5 GHz	866 Mbps
Frequency band	2.4 GHz (IEEE 802.11 b/g/n)	<ul style="list-style-type: none"> • USA (FCC): 2.412 to 2.462 GHz • Europe (ETSI): 2.412 to 2.472 GHz
	5 GHz (IEEE 802.11 a/n/ac)	<ul style="list-style-type: none"> • USA (FCC): 5.15 to 5.35 GHz; 5.725 to 5.850 GHz • Europe (ETSI): 5.15 to 5.35 GHz; 5.470 to 5.725 GHz
Bandwidth	20-, 40- and 80-MHz	
Conducted typical transmit output power	US (2.4 GHz/5 GHz)	18/19 dBm
	EU (2.4 GHz/5 GHz)	17/19 dBm
RF Design		
Antenna type	2x2 MIMO smart antenna	
Antenna gain	2.4 GHz	5 dBi
	5 GHz	5 dBi
Minimum receive sensitivity	Min. Rx sensitivity up to -98 dBm	
WLAN Features		
Band steering	Yes	
WDS/Mesh	Yes	
Fast roaming	Pre-authentication, PMK caching and 802.11 r/k/v	
DCS	Yes	
Load balancing	Yes	
Security		
Encryption	WEP/WPA/WPA2-PSK	
Authentication	WPA/WPA2-Enterprise/EAP/IEEE 802.1X/RADIUS authentication	
Access management	L2-isolation/MAC filtering	
Networking		
IPv6	Yes	
VLANs	Yes	
WMM	Yes	
U-APSD	Yes	
DiffServ marking	Yes	
Management		
Operating mode	Cloud managed/standalone	
ZON Utility	<ul style="list-style-type: none"> • Discovery of Zyxel switches, APs and gateways • Centralized and batch configurations <ul style="list-style-type: none"> ▪ IP configuration ▪ IP renew ▪ Device reboot ▪ Device locating ▪ Web GUI access ▪ Firmware upgrade ▪ Password configuration ▪ One-click quick association with Zyxel AP Configurator (ZAC) 	
ZAC	<ul style="list-style-type: none"> • Batch AP configuration • Batch AP profile backup 	<ul style="list-style-type: none"> • Batch AP firmware upgrade

Zyxel Wireless Optimizer	<ul style="list-style-type: none"> • Wi-Fi AP planning • Wireless health management 	<ul style="list-style-type: none"> • Wi-Fi coverage detection
Web UI/CLI	Yes	
SNMP	Yes	
Physical Specifications		
Item	Dimensions (WxDxH)(mm/in.)	90 x 170 x 29/3.54 x 6.69 x 1.14
	Weight (kg/lb.)	0.32/0.71
Packing	Dimensions (WxDxH)(mm/in.)	190 x 110 x 55/7.48 x 4.33 x 2.16
	Weight (kg/lb.)	0.54/1.19
Included accessories	Multi-purpose mounting bracket with screws	
MTBF (hr)	809,263	
Ethernet port	1 x 10/100/1000M uplink 3 x 10/100/1000M downlink (including on PoE PSE)	
Power	<ul style="list-style-type: none"> • 802.3at PoE: 20 W (include 7 W for PoE PSE) • 802.3af PoE: 12 W (PoE PSE disabled) 	
Environmental Specifications		
Operating environment	Temperature	0°C to 50°C/32°F to 122°F
	Humidity	10% to 95% (non-condensing)
Storage environment	Temperature	-30°C to 70°C/-22°F to 158°F
	Humidity	10% to 90% (non-condensing)
Certifications		
Radio	ETSI EN 300 328, FCC Part 15C, LP0002, EN 60601-1-2	
EMC	EN 301 489-1, EN 301 489-17, EN55022, EN55024, EN61000-3-2/-3, FCC Part B, BSMI CNS13438	
Safety	EN 60950-1, IEC 60950-1, BSMI CNS14336-1	

Application Diagram



For more product information, visit us on the web at www.zyxel.com

Copyright © 2020 Zyxel and/or its affiliates. All rights reserved.
All specifications are subject to change without notice.



1702/20